

DEIMOS BT



DEIMOS BT P925178 00001



Incorporated control board: QSC

Available as a kit: DEIMOS BT KIT

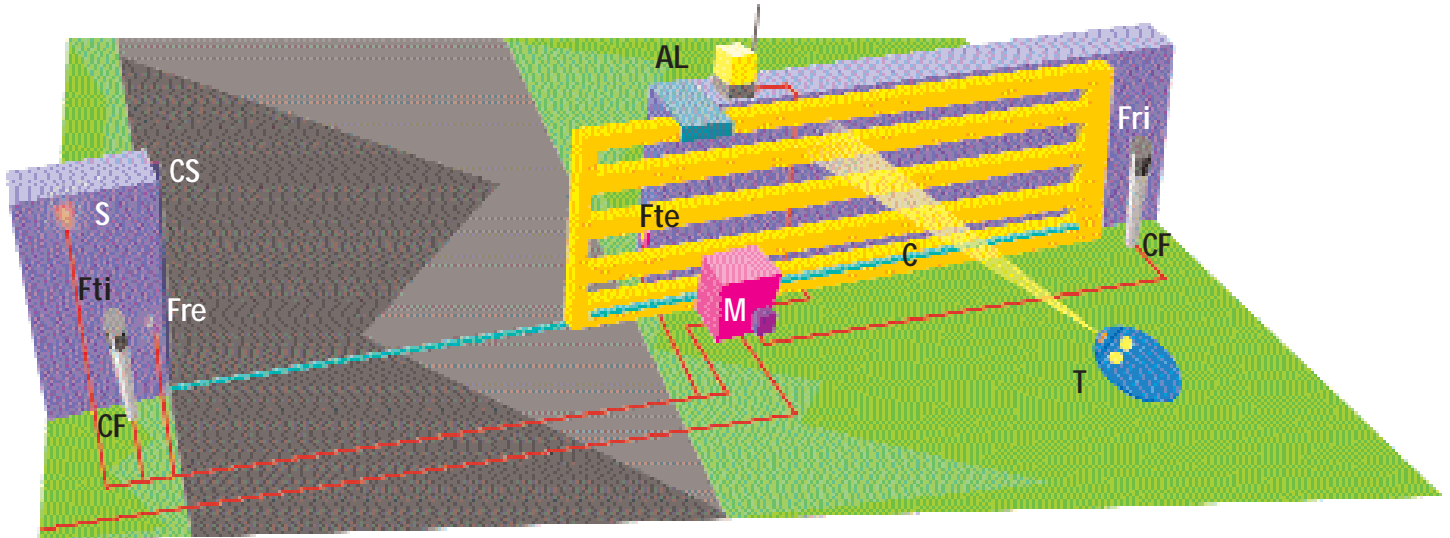
- **Low voltage irreversible gearmotor**, which offers great versatility and extreme safety.
- **Design and practicality**: great aesthetic innovation and improved guard solidity.
- **Safe and simplified release manoeuvre** by means of the new ergonomic knob.
- **Anti-squash safety provided** by a special electronic device adjustable both on opening and closing, and inverts the direction in case of obstacles.
- **In case of power supply failure**, operation is guaranteed by a back up battery unit (SB BAT) inside the motor casing. Supplied upon request.
- **Easier access to the control panel** provided by the control board located on the front.
- **Built-in double-channel** rolling code receiver.
- Control panel prearranged for the EELink protocol.



Operator DEIMOS BT

Single-phase power supply	230 V \pm 10%, 50 Hz
Motor	24 Vdc
Absorbed power	70 W
Max. leaf weight	3000 N (~300 kg)
Output revolutions	79 min ⁻¹
Pitch	4 mm (14 teeth)
Leaf speed	12 m/min
Impact reaction	electronic torque limiter
Manual manoeuvre	mechanical release with knob
No. manoeuvres in 24 hours	100
Control panel	QSC
Type of limit switch	electromechanical or inductive
Environmental conditions	from -15° to +60°C
Degree of protection	IP 24
Operator weight	70 N (~ 7 kg)
Dimensions	see drawing

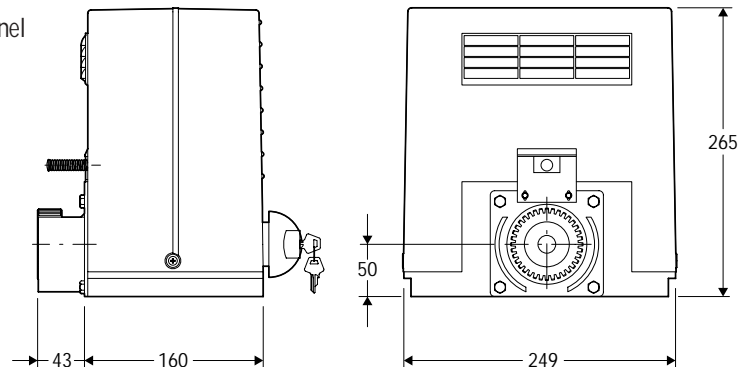
Electromechanical automation for rack sliding gates weighing up to 300 kg, residential use



Example of installation

Dimensions

M operator DEIMOS BT (P925178 00001) 24Vdc with built-in control panel and rolling code receiver
 T double-channel rolling code transmitter, Mitto 2 (D111453)
 Ftx-Frx pair of photocells, Cellula 130 (P111273)
 CF pair of posts, CC130 (P903005)
 AL blinker Lampo PA 24V (D113638 00001) with antenna SL433 (D111652)
 S key selector, Intro (P121011)
 C plastic rack, CPZ (D221037)
 CS safety edge



• For system layout and installation conditions, refer to the standards and laws in force in the country of installation.

Main characteristics

Irreversible type electromechanical operator for the automation of sliding gates for residential use
 • DEIMOS BT is provided with a control board placed at the front of the motor • release knob • electronic torque limiter • back up battery kit (optional) • integrated double-channel rolling-code receiver • Main specifications: supply 230 V \pm 10% 50Hz • motor 24V dc • power 70W • leaf speed 12m/min • max leaf weight 3000N.

